

# SP Series

Close-coupled self-priming peripheral pumps with side channel and star impeller. Designed to remain primed even in the presence of waterdissolved gases or when the suction line is not filled with liquid.

The nickel-plated brass impeller prevents jamming due to oxidation.

## Specifications

Delivery: up to 2.75 m<sup>3</sup>/h  
Head: up to 50 m  
Power supply: three-phase and single-phase 50 and 60 Hz  
Power: 0.55 kW to 0.75 kW  
Maximum operating pressure: 8 bar  
Temperature of pumped liquid: -10°C to +40°C  
Maximum ambient temperature: 40°C  
Insulation class: F  
Protection: IP55

## Materials

Pump body: Cast iron  
Motor/pump support: Cast iron  
Impeller: Nickel-plated brass  
Front flange: Brass  
Rear diffuser plate: Brass  
Mechanical seal: Ceramic/Carbon/NBR  
Fill plug: Brass  
Elastomers: NBR

## Applications

Water distribution

---

Washing

---

Pressure boosting

---

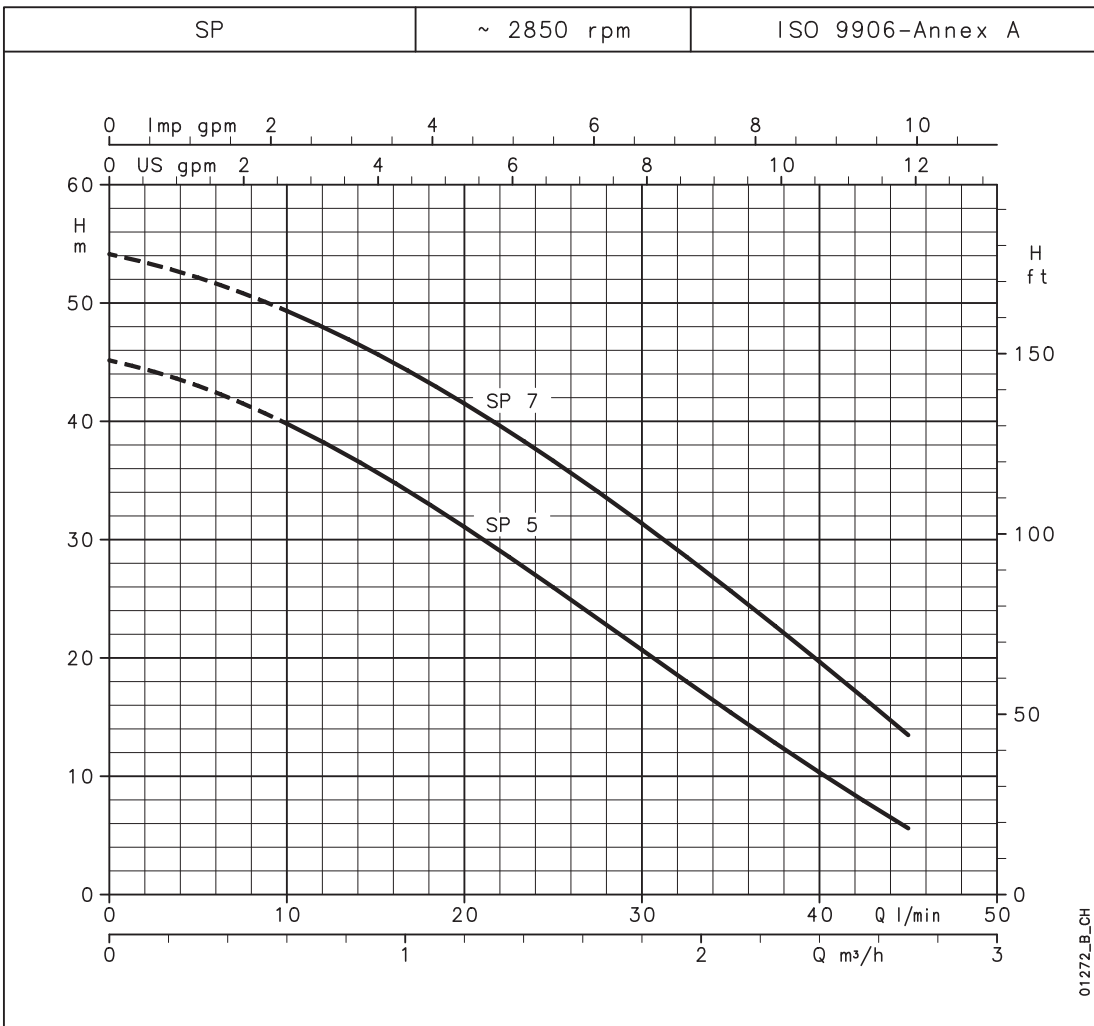
Irrigation



For a complete list of technical information, consult [www.lowara.com](http://www.lowara.com)

# SP SERIES

## Operating characteristics at 50 Hz



### Hydraulic performance table

| PUMP TYPE | RATED POWER |      | Q = DELIVERY                               |      |      |      |      |      |      |      |     |  |
|-----------|-------------|------|--|------|------|------|------|------|------|------|-----|--|
|           |             |      | l/min                                      | 0    | 10   | 20   | 25   | 30   | 35   | 40   | 45  |  |
|           |             |      | m³/h                                       | 0    | 0,6  | 1,2  | 1,5  | 1,8  | 2,1  | 2,4  | 2,7 |  |
|           |             |      | H = TOTAL HEAD IN COLUMN OF WATER (METRES) |      |      |      |      |      |      |      |     |  |
| SP5(T)    | 0,55        | 0,75 | 45,2                                       | 39,8 | 31,1 | 26,0 | 20,7 | 15,4 | 10,3 | 5,7  |     |  |
| SP7(T)    | 0,75        | 1    | 54,1                                       | 49,3 | 41,5 | 36,7 | 31,4 | 25,7 | 19,7 | 13,5 |     |  |

These performances are valid for liquids with density  $\rho = 1.0 \text{ kg/dm}^3$  and kinematic viscosity  $\nu = 1 \text{ mm}^2/\text{s}$ .

sp-2p50\_a\_th

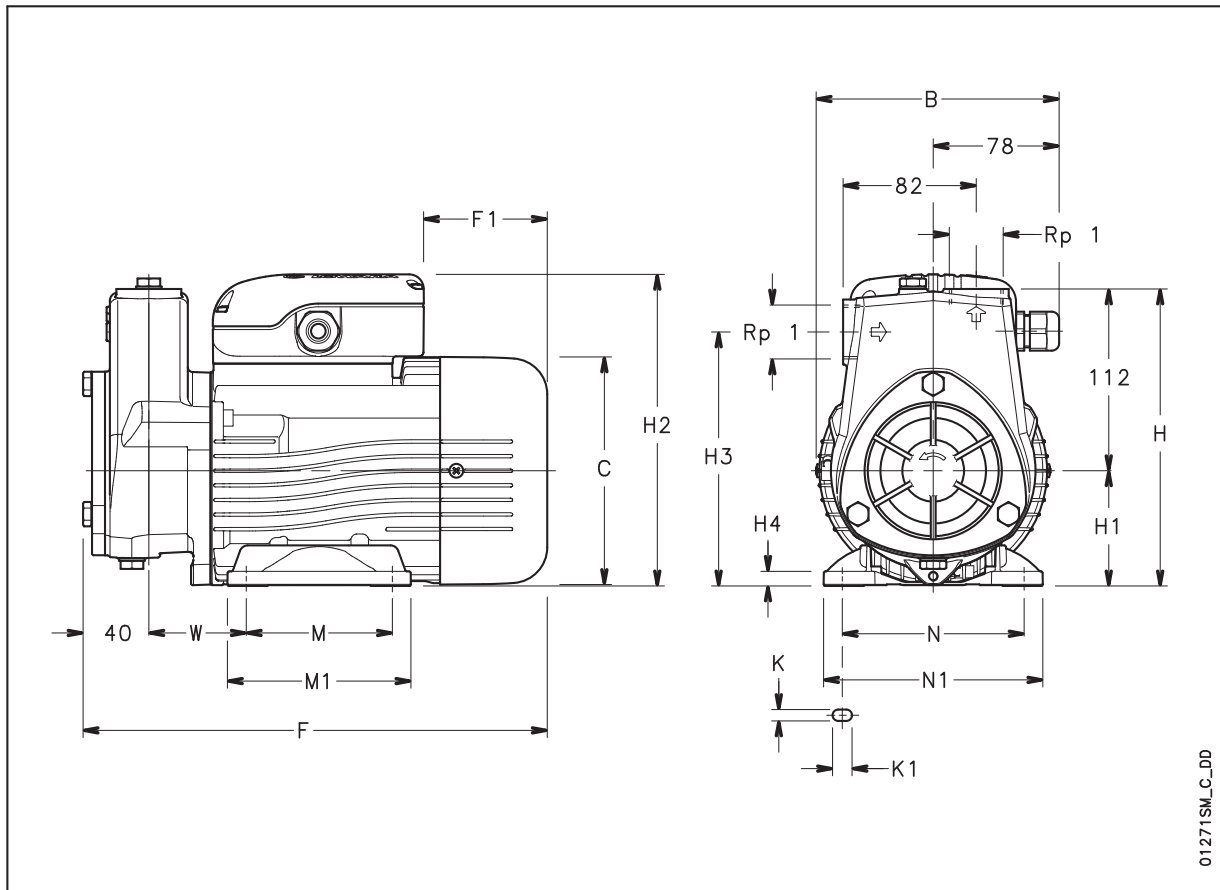
### Electrical data

| TYPE | TYPE        | POWER* |      | CURRENT*  |      | TYPE                          | TYPE | POWER* |      | CURRENT*  |  |
|------|-------------|--------|------|-----------|------|-------------------------------|------|--------|------|-----------|--|
|      |             | kW     | A    | 220-240 V |      |                               |      | kW     | A    | 220-240 V |  |
| 1 ~  |             |        |      |           |      | $\mu\text{F} / 450 \text{ V}$ |      |        |      | 3 ~       |  |
| SP5  | SM71SP/1055 | 0,87   | 4,21 | 16        | SP5T | SM71SP/305                    | 0,78 | 2,67   | 1,54 |           |  |
| SP7  | SM71SP/1075 | 1,00   | 4,60 | 20        | SP7T | SM80SP/307HE                  | 0,95 | 3,04   | 1,76 |           |  |

\*Maximum value in specified range

sp-2p50-en\_b\_te

# 1 SP SERIES Dimensions and weights



01271SM\_C\_DD

| PUMP<br>TYPE | DIMENSIONS (mm) |     |     |     |     |    |     |     |    |     |     |     |     |   |    | WEIGHT |    |
|--------------|-----------------|-----|-----|-----|-----|----|-----|-----|----|-----|-----|-----|-----|---|----|--------|----|
|              | B               | C   | F   | F1  | H   | H1 | H2  | H3  | H4 | M   | M1  | N   | N1  | K | K1 | W      | kg |
| SP5          | 150             | 140 | 286 | 76  | 183 | 71 | 192 | 156 | 9  | 90  | 113 | 112 | 135 | 7 | 12 | 60     | 11 |
| SP7          | 150             | 140 | 286 | 76  | 183 | 71 | 192 | 156 | 9  | 90  | 113 | 112 | 135 | 7 | 12 | 60     | 12 |
| SP5T         | 150             | 140 | 286 | 76  | 183 | 71 | 192 | 156 | 9  | 90  | 113 | 112 | 135 | 7 | 12 | 60     | 11 |
| SP7T         | 156             | 155 | 325 | 113 | 192 | 80 | 209 | 165 | 10 | 100 | 124 | 125 | 153 | 9 | 12 | 72     | 15 |

sp-2p50-en\_b\_td